

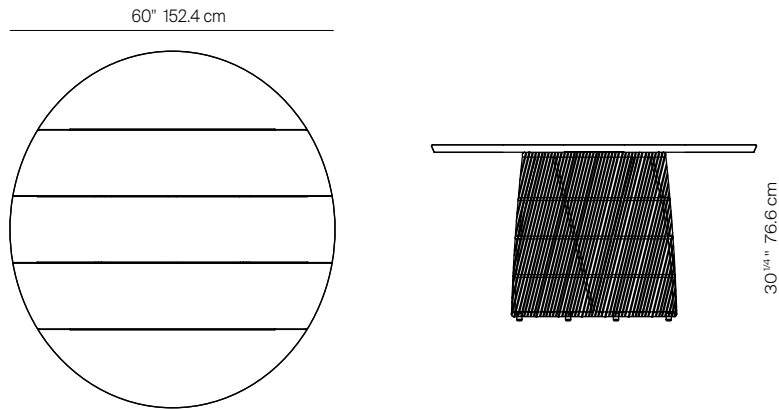
CUFF

by Ann Vering



ROUND DINING TABLE 60"

186302



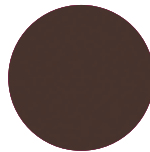
SPECIFICATIONS

Width:	60"	152.4 cm
Depth:	60"	152.4 cm
Height:	30 1/4"	76.6 cm

MATERIALS

Frame: Powder coated aluminum.
Weave: Olphin rope covered resin.
Table Top: Black smoked glass top.

FINISHES



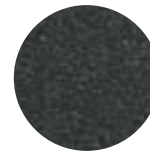
COCOA
-44

ALUMINUM



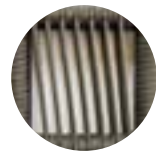
TAUPE

ROPE



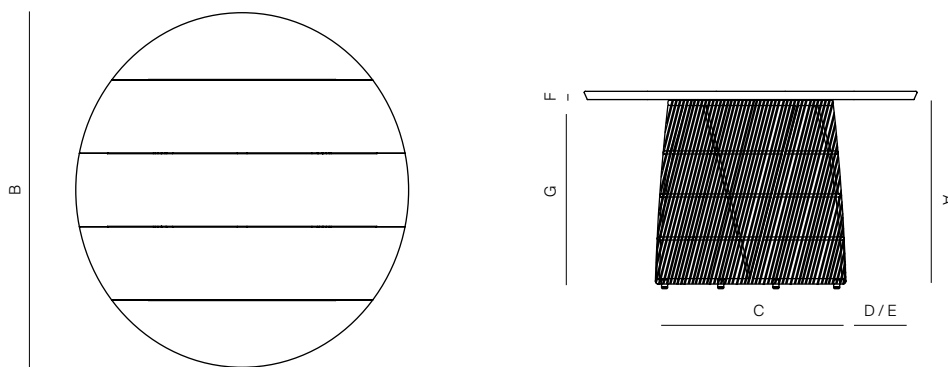
SPACE GREY
-52

ALUMINUM



TAUPE
-29

ROPE



MEASURES INCH CM	OVERALL HEIGHT	DIAMETER	SIZE OF BASE	OVERHANG AT ENDS	OVERHANG AT SIDES	TABLE TOP THICKNESS	APRON TO FLOOR CLEARANCE	SEAT UP TO (APROX. 20"W CHAIRS SPACED 2" APART)
DESCRIPTION	A	B	C	D	E	F	G	H
ROUND DINING TABLE 60"	30 1/4	60	31	16 1/2	16 1/2	1/4	29 3/4	6
SKU# 186302	76.6	152.4	78.6	42	42	0.8	75.7	6

MEASURES INCH CM	DIAGONAL CLEARANCE	TABLE TOP WEIGHT LBS KGS	OVERALL FURNITURE WEIGHT LBS KGS	TOTAL PIECES IN A BOX	BOXED WEIGHT LBS KGS	CUBE
DESCRIPTION	I					
ROUND DINING TABLE 60"	40 3/4	49	77	1	165	29
SKU# 186302	103.6	22.22	35	1	74	