

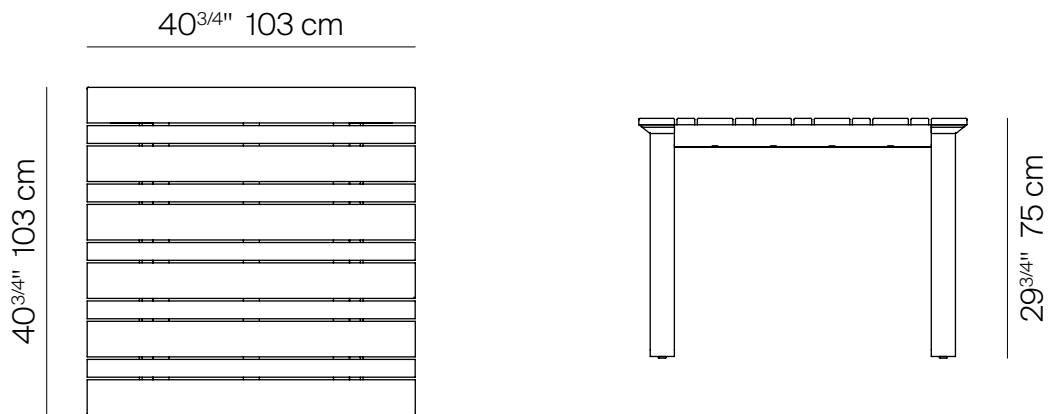
# TOPANGA

by Monica Armani



SQ DINING TABLE 41"

306402



## SPECIFICATIONS

Width: 40 3/4" 103 cm  
Depth: 40 3/4" 103 cm  
Height: 29 3/4" 75 cm  
Seat: 6

## MATERIALS

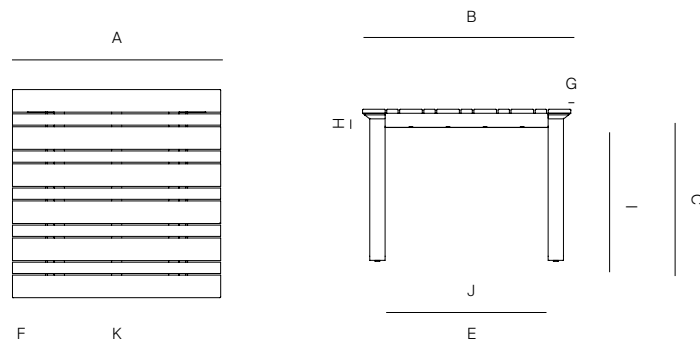
Frame: Premium Grade Teak Wood.  
Furniture Cover Available.

## FINISHES



NATURAL  
-20

TEAK



MEASURES INCH CM	OVERALL LENGTH	OVERALL WIDTH	OVERALL HEIGHT	DIAMETER	SIZE OF BASE	OVERHANG AT ENDS	OVERHANG AT SIDES	TABLE TOP THICKNESS	APRON TO FLOOR CLEARANCE	SPACE BETWEEN LEGS AT HEAD
DESCRIPTION	A	B	C	D	E	F	G	H	I	J
SQ DINING TABLE 41"	40 3/4	40 3/4	29 3/4	-	36	6	1 1/2	2 1/2	27	31 3/4
SKU# 306402	103.2	103.2	75	-	91.5	15	3.8	6.3	68.5	96

MEASURES INCH CM	SPACE BETWEEN LEGS AT SIDE	SEAT UP TO (APROX. 20"W CHAIRS SPACED 2" APART)	DIAGONAL CLEARANCE	MINIMUM CLEARANCE NEEDED FOR DELIVERY	OVERALL FURNITURE WEIGHT LBS KGS	TOTAL PIECES IN A BOX	BOXED WEIGHT LBS KGS	CUBE
DESCRIPTION	K	L						
SQ DINING TABLE 41"	31 3/4	4	43 3/4	47 1/2	71	1	80	78
SKU# 306402	80	4	111		32	1	36	