

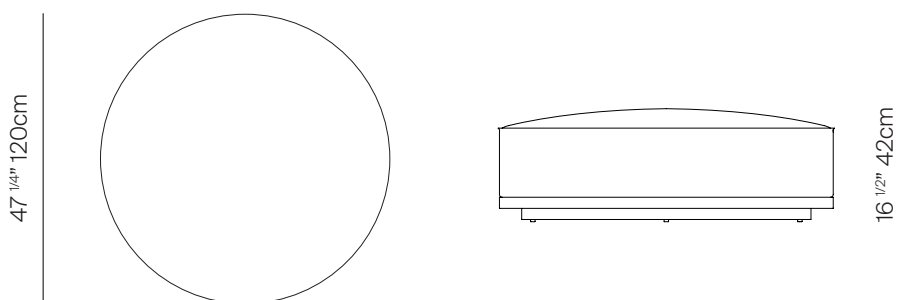
# MERCER

by Danao Studio



POUF 47"

064.7504



## SPECIFICATIONS

Width:	47 1/4"	120 cm
Depth:	47 1/4"	120 cm
Height:	16 1/2"	42 cm
Seat height:	16 1/2"	42 cm
COM:	5 1/2 yds	

COM based on 54" wide no repeat fabric.

## MATERIALS

Frame: Powder coated aluminum.

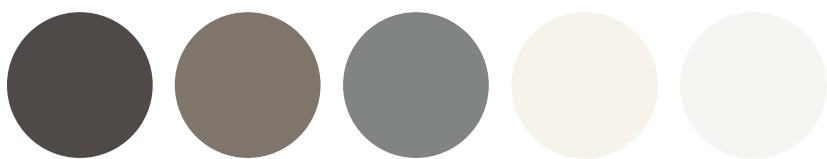
Cushion foam: Made of HR (high resiliency) foam with Dacron wrap incased in a nonwoven UV stabilized waterproof sonic welded fabric.

Cushion fabric: COM/Outdoor Canvas Grade A / Grade B

Fabric options.

Furniture cover available.

## FINISHES



SPACE GREY  
-52

MUSCADE  
-51

STONE  
-43

SHELL  
-45

SPACE GREY  
-53

ALUMINUM

MOQ APPLIED ON CERTAIN FINISHES

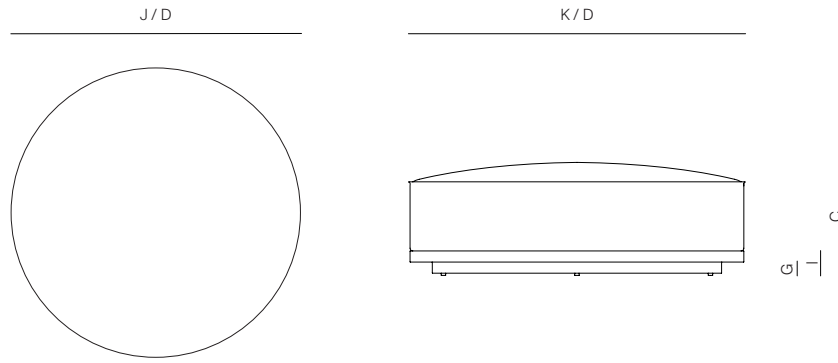
TRHOW PILLOWS SOLD SEPARATELY

# DANA O

[danaoliving.com](http://danaoliving.com)

POUF 47"

064.7504



MEASURES INCH CM	OVERALL WIDTH	OVERALL DEPTH	OVERALL HEIGHT WITH CUSHIONS	DIAMETER	FOOT HEIGHT	FRAME SEAT HEIGHT (FLOOR TO FRAME)	INSIDE SEAT WIDTH	INSIDE SEAT DEPTH
DESCRIPTION	A	B	C	D	G	I	J	K
POUF 47"	-	-	16 1/2	47 1/4	1 1/2	3 1/2	47 1/4	47 1/4
SKU# 064.7504	-	-	42	120	4	8.8	120	120

MEASURES INCH CM	# OF BACK CUSHIONS	# OF SEAT CUSHIONS	COM YARDS METERS	DIAGONAL CLEARANCE	FURNITURE WEIGHT LBS KGS	TOTAL PIECES IN A BOX	BOXED WEIGHT LBS KGS	CUBE
DESCRIPTION	L							
POUF 47"	1	1	5 1/2	49	28.2	1	39.7	10.6
SKU# 064.7504	1	1		124.4	12.7	1	18	

TRHAW PILLOWS SOLD SEPARATELY