

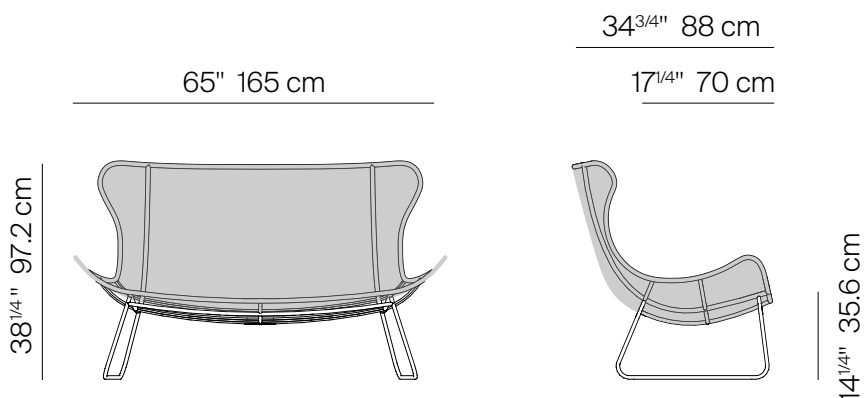
JAGGER

by Ann Vering



LOVE SEAT

262501



SPECIFICATIONS

Width:	65"	165 cm
Depth:	34 3/4"	88 cm
Height:	38 1/4"	97 cm
Seat height:	14 1/4"	37 cm
Seat height *with optional cushion:	17"	43.1 cm
COM:	2 1/2" yds	

FINISHES



STAINLESS STEEL



WEAVE

MATERIALS

Frame: Powder coated aluminum frame.

Weave: Synthetic all-weather weave.

Cushion foam: Made of HR (high resiliency) foam with Dacron wrap incased in a nonwoven UV stabilized waterproof sonic welded fabric.

Cushion fabric: COM/Outdoor Canvas Grade A / Grade B

Fabric options.
Furniture cover available.

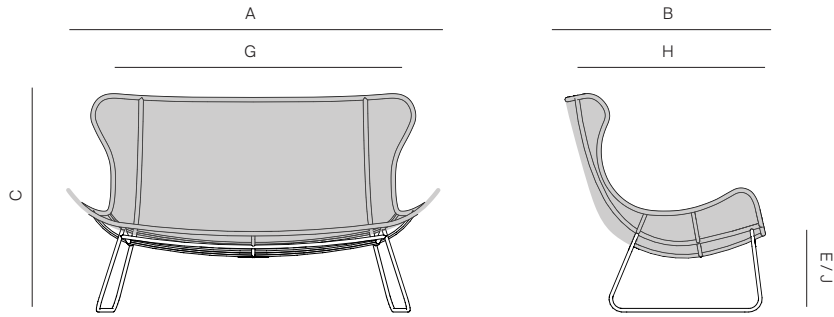
TRHOW PILLOWS SOLD SEPARATELY

DANA O

danaoliving.com

LOVE SEAT

262501



MEASURES INCH CM	OVERALL WIDTH A	OVERALL DEPTH B	OVERALL FRAME HEIGHT C	FOOT HEIGHT D	SEAT HEIGHT WITH CUSHIONS E	FRAME SEAT HEIGHT (FLOOR TO FRAME) F	INSIDE SEAT WIDTH G	INSIDE SEAT DEPTH H
DESCRIPTION	A	B	C	D	E	F	G	H
LOVE SEAT	65	34 3/4	38 1/4	13 3/4	-	14 1/4	58	34 3/4
SKU# 262501	165	88	97.2	35	-	35.6	147	88

MEASURES INCH CM	# OF SEAT CUSHIONS	COM SEAT CUSHIONS YARDS METERS	DIAGONAL CLEARANCE I	FURNITURE WEIGHT LBS KGS	TOTAL PIECES IN A BOX	BOXED WEIGHT LBS KGS	CUBE
DESCRIPTION			I				55.8
LOVE SEAT	1	2 1/2	48 1/2	68	1	70	
SKU# 262501	1	2.2	123	30	1	31	

TRHOW PILLOWS SOLD SEPARATELY