

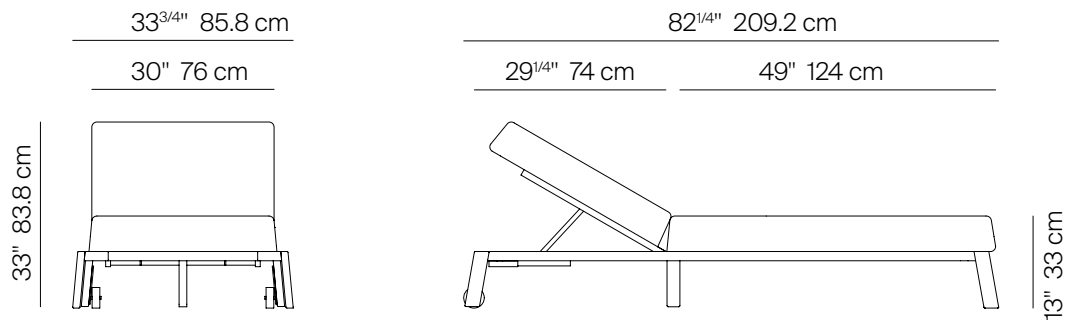
TOPANGA

by Monica Armani



CHAISE WITH WHEELS

302901



SPECIFICATIONS

Width: 33 3/4" 85.8 cm
Depth: 82 1/4" 209.2 cm
Height: 33" 83.8 cm
Seat height: 13" 33 cm

COM: 4 1/2 yds

*COM based on 54" wide no repeat fabric.

MATERIALS

Frame: Premium Grade Teak Wood.

Cushion Foam: Made of HR (High Resiliency) foam with Dacron wrap incased in a nonwoven UV stabilized waterproof sonic welded fabric.

Cushion Fabric: COM/Outdoor Canvas Grade A / Grade B
Fabric options.

(Reference Fabric Specification Sheet)

Throw Pillows: Outdoor Polyfill.

Furniture Cover Available.

FINISHES



NATURAL
-20

TEAK

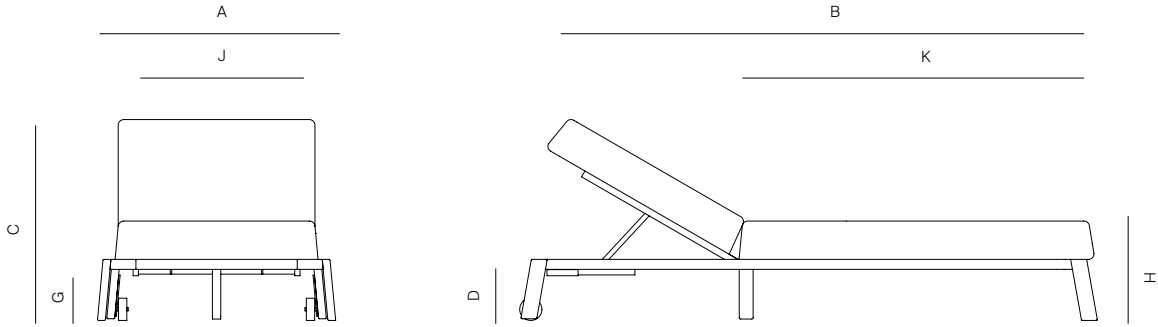
THROW PILLOWS SOLD SEPARATELY

DANAO

danaoliving.com

CHAISE WITH WHEELS

302901



MEASURES INCH CM	OVERALL WIDTH	OVERALL DEPTH	OVERALL HEIGHT WITH CUSHIONS	OVERALL FRAME HEIGHT	ARM HEIGHT	ARM WIDTH	FOOT HEIGHT	SEAT HEIGHT WITH CUSHIONS	FRAME SEAT HEIGHT (FLOOR TO FRAME)	INSIDE SEAT WIDTH	INSIDE SEAT DEPTH
DESCRIPTION	A	B	C	D	E	F	G	H	I	J	K
POOL CHAISE	33 3/4	82 1/4	33	12 1/2	-	-	7 1/2	13	8 1/2	30	49
SKU# 302901	85.8	209.2	83.8	31.4	-	-	18.9	33.0	22	76.2	124.5

MEASURES INCH CM	# OF BACK CUSHIONS	# OF SEAT CUSHIONS	COM CUSHIONS YARDS METERS	DIAGONAL CLEARANCE	FURNITURE WEIGHT LBS KGS	TOTAL PIECES IN A BOX	BOXED WEIGHT LBS KGS	CUBE
DESCRIPTION	L							
POOL CHAISE	1	1	4 1/2	35 1/2	61	1	84	37.5
SKU# 302901	1	1	4.1	90	28	1	38	

TRHAW PILLOWS SOLD SEPARATELY