

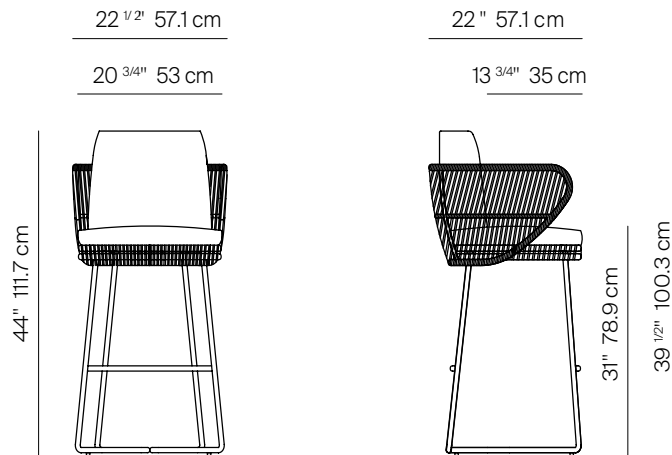
CUFF

by Ann Vering



ARM BAR STOOL

182401



SPECIFICATIONS

Width: 22 1/2" 57.1 cm
Depth: 22 1/2" 57.1 cm
Height: 44" 111.7 cm
Seat height: 31" 78.9 cm

COM: 2 3/4 yds
*COM based on 54" wide no repeat fabric.

MATERIALS

Frame: Powder coated aluminum frame.
Weave : Olefin rope wrapped resin.
Cushion Foam: Made of HR (High Resiliency) foam with Dacron wrap incased in a nonwoven UV stabilized waterproof sonic welded fabric.
Cushion Fabric: COM/Outdoor Canvas Grade A / Grade B Fabric options available.
(Reference Fabric Specification Sheet).
Furniture Cover Available.

FINISHES



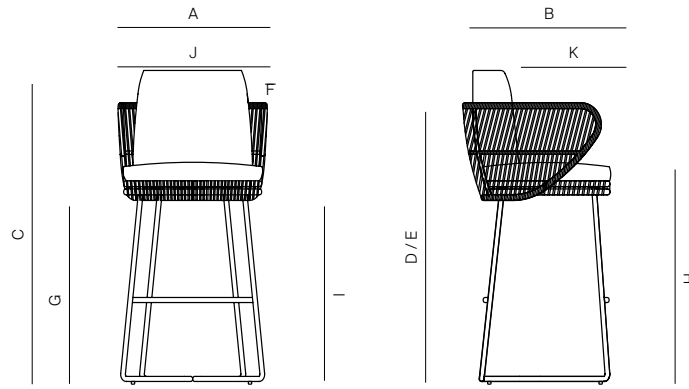
TRHROW PILLOWS SOLD SEPARATELY

DANAO

danaoliving.com

ARMBAR STOOL

182401



MEASURES INCH CM	OVERALL WIDTH	OVERALL DEPTH	OVERALL HEIGHT WITH CUSHIONS	OVERALL FRAME HEIGHT	ARM HEIGHT	ARM WIDTH	FOOT HEIGHT	SEAT HEIGHT WITH CUSHIONS	FRAME SEAT HEIGHT	INSIDE SEAT WIDTH	INSIDE SEAT DEPTH
DESCRIPTION	A	B	C	D	E	F	G	H	I	J	K
ARM BAR STOOL	22 1/2	22	44	39 1/2	39 1/2	1 1/4	26 1/2	31	28 1/2	20 3/4	16
SKU# 182401	57.1	56.1	111.7	100.3	100.3	3	67.4	78.9	72.4	52.4	47.8

MEASURES INCH CM	# OF BACK CUSHIONS	# OF SEAT CUSHIONS	COM CUSHIONS YARDS METERS	DIAGONAL CLEARANCE	FURNITURE WEIGHT LBS KGS	TOTAL PIECES IN A BOX	BOXED WEIGHT LBS KGS	CUBE
DESCRIPTION	L							
ARM BAR STOOL	1	1	2 3/4	43 5/6	18	1	36	15.9
SKU# 182401	1	1	2.5	112.4	8	1	16	

TRHOW PILLOWS SOLD SEPARATELY