

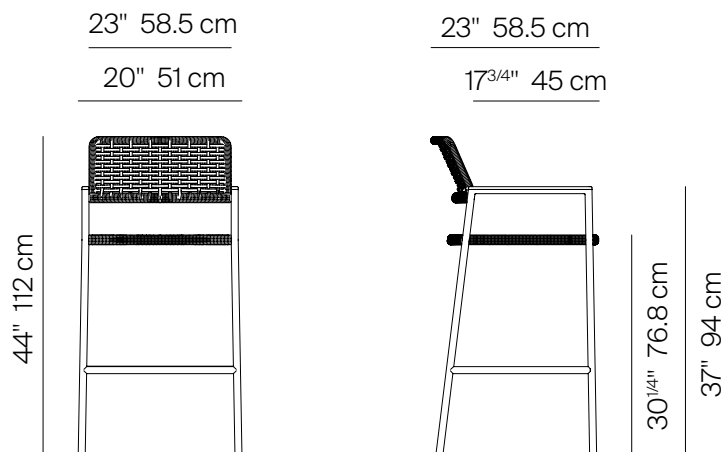
THOMPSON

by Mario Ruiz



ARM BAR STOOL

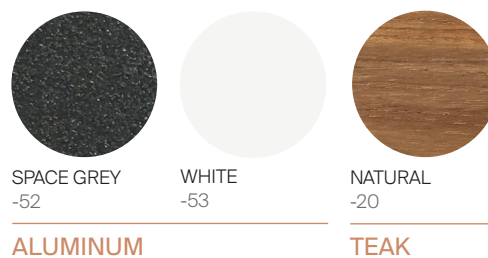
828441



SPECIFICATIONS

Width:	23 1/4"	58.9 cm
Depth:	23"	58.1 cm
Height:	44"	112 cm
Seat height:	30 1/4"	76.8 cm
Seat height *with optional cushion:	33"	83.8 cm
COM:	1 1/2 yds	

FINISHES



MATERIALS

Frame: Powder coated aluminum.

Accents: Premium grade teak wood and rope.

Cushion foam: Made of HR (high resiliency) foam with Dacron wrap incased in a nonwoven UV stabilized waterproof sonic welded fabric.

Cushion fabric: COM/Outdoor Grade A / Grade B

Fabric options.

Furniture Cover Available.

TRH OW PILLOWS SOLD SEPARATELY

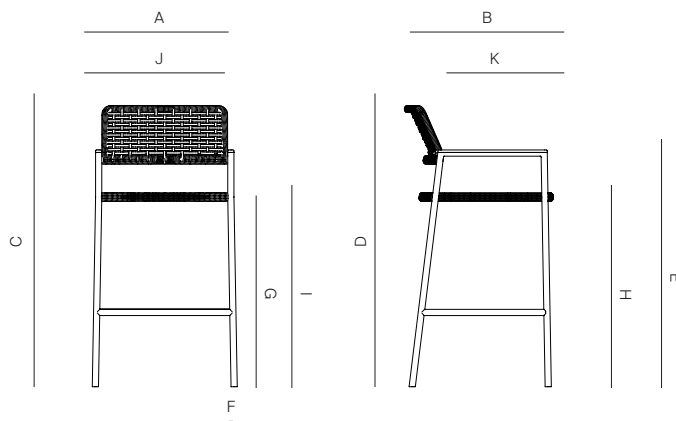


DANAO

danaoliving.com

ARM BAR STOOL

828441



MEASURES INCH CM	OVERALL WIDTH	OVERALL DEPTH	OVERALL HEIGHT WITH CUSHIONS	OVERALL FRAME HEIGHT	ARM HEIGHT	ARM WIDTH	FOOT HEIGHT	SEAT HEIGHT WITH CUSHIONS	SEAT HEIGHT (FLOOR TO FRAME)	INSIDE SEAT WIDTH	INSIDE SEAT DEPTH
DESCRIPTION	A	B	C	D	E	F	G	H	I	J	K
ARM BAR STOOL	23	23	44	44	37	1	12 1/4	30 1/4	30 1/4	20	21 1/4
SKU# 828441	58,5	58,1	112	112	94	2,5	31,2	76,8	76,8	50,8	54,1

MEASURES INCH CM	# OF SEAT CUSHIONS	COM CUSHIONS YARDS METERS	DIAGONAL CLEARANCE	FURNITURE WEIGHT LBS KGS	TOTAL PIECES IN A BOX	BOXED WEIGHT LBS KGS	CUBE
DESCRIPTION			L				
ARM BAR STOOL	-	1 1/2	50 1/2	16	1	29	16,7
SKU# 828441	-	1,3	128,3	7	1	13	

TRHOW PILLOWS SOLD SEPARATELY