

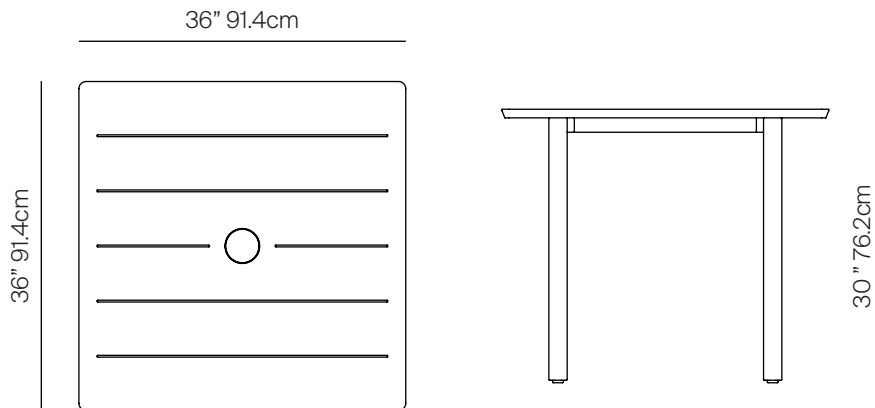
TAOS

by Mario Ruiz



SQ DINING TABLE ALUMINUM 36"

866302



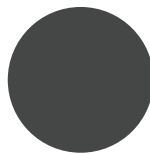
SPECIFICATIONS

| | | |
|---------|-----|---------|
| Width: | 36" | 91.4 cm |
| Depth: | 36" | 91.4 cm |
| Height: | 30" | 76.2 cm |

MATERIALS

Frame: Powder coated aluminum.
Table top: Powder coated aluminum.
Furniture Cover Available.

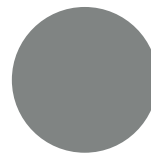
FINISHES



SPACE GREY
-52



MUSCADE
-51



STONE
-43



SHELL
-45

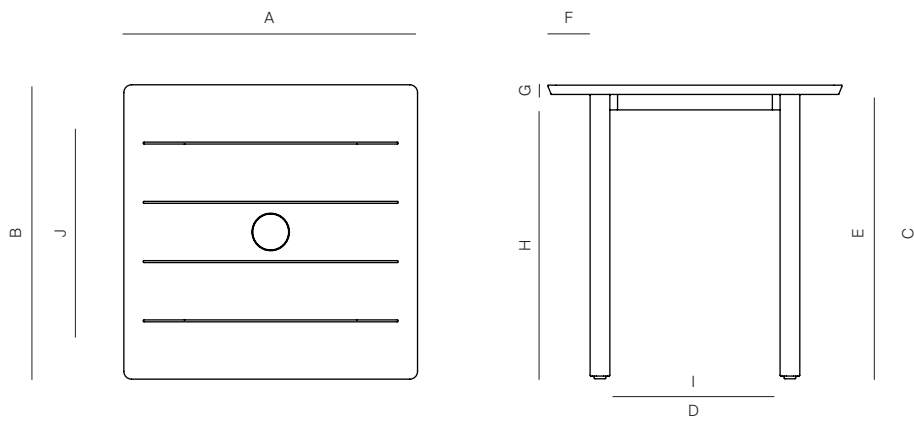


WHITE
-53

ALUMINUM

SQUARE DINING TABLE ALUMINUM 36"

866302



| MEASURES INCH CM | OVERALL LENGTH | OVERALL WIDTH | OVERALL HEIGHT | SIZE OF BASE | FOOT HEIGHT | OVERGANG AT ENDS | TABLE TOP THICKNESS | APRON TO FLOOR CLEARANCE | SPACE BETWEEN LEGS AT HEAD | SPACE BETWEEN LEGS AT SIDE | SEAT UP TO (APROX. 20"W CHAIRS SPACED 2" APART) |
|------------------------------|-------------------|------------------|-------------------|-----------------|----------------|---------------------|------------------------|--------------------------------|-------------------------------------|-------------------------------------|---|
| DESCRIPTION | A | B | C | D | E | F | G | H | I | J | K |
| SQUARE DINING TABLE ALUMINUM | 36 | 36 | 30 | 25 3/4 | 27 1/2 | 5 1/4 | 1 | 29 | 22 | 22 | 4 |
| SKU# 866302 | 91.4 | 91.4 | 76.2 | 65.2 | 69.6 | 131 | 24 | 73.6 | 55.3 | 55.3 | |

| MEASURES INCH CM | DIAGONAL CLEARANCE | OVERALL FURNITURE WEIGHT LBS KGS | TOTAL PIECES IN A BOX | BOXED WEIGHT LBS KGS | CBM |
|------------------------------|--------------------|---|--------------------------|----------------------------|-----|
| DESCRIPTION | L | | | | |
| SQUARE DINING TABLE ALUMINUM | 42 3/4 | 31 | 1 | 66 | 7.4 |
| SKU# 866302 | 108.5 | 14 | 1 | 30 | |