

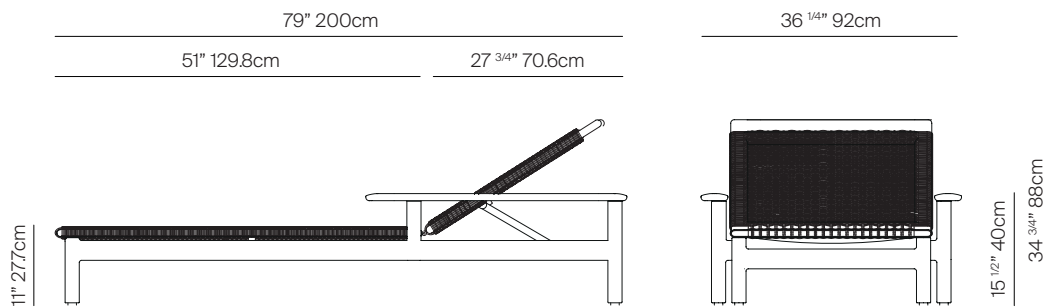
MONTAUK

by Mario Ruiz



ARM CHAISE ALUMINIUM

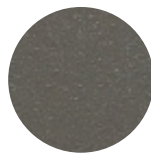
062.2910



SPECIFICATIONS

Width:	36 1/4"	92 cm
Depth:	79"	200 cm
Height:	34 3/4"	88 cm
Seat height:	11"	27.7 cm
Seat height *with optional cushion:	13 1/2"	34.2 cm

FINISHES



MUSCADE
-51



BRUNIA
-22

MATERIALS

Frame: Premium grade teak wood.

Weave: Synthetic all-weather weave.

Cushion foam: Made of HR (high resiliency) foam with Dacron wrap incased in a nonwoven UV stabilized waterproof sonic welded fabric.

Cushion fabric: COM/Outdoor Canvas Tier 1 / Luxury Tier 2

Fabric options.

Furniture cover available

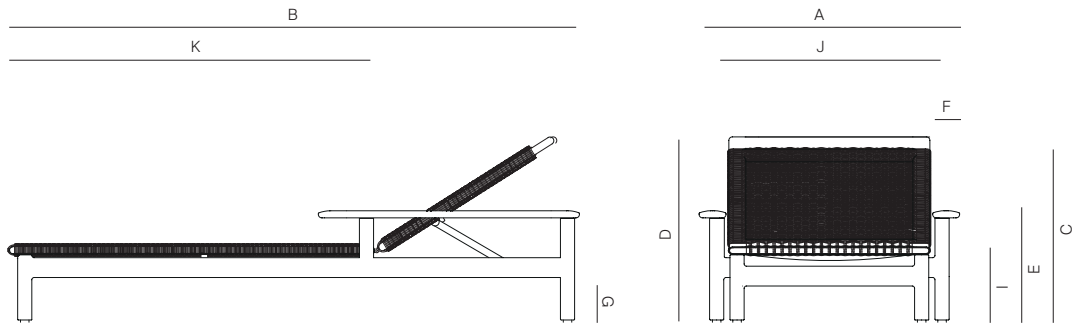
TRHAW PILLOWS SOLD SEPARATELY

DANA O

danaoliving.com

ARM CHAISE ALUMINUM

062.2910



MEASURES INCH CM	OVERALL WIDTH	OVERALL DEPTH	OVERALL HEIGHT WITH CUSHIONS	OVERALL FRAME HEIGHT	ARM HEIGHT	ARM WIDTH	FOOT HEIGHT	SEAT HEIGHT WITH CUSHIONS	FRAME SEAT HEIGHT (FLOOR TO FRAME)	INSIDE SEAT WIDTH	INSIDE SEAT DEPTH
DESCRIPTION	A	B	C	D	E	F	G	H	I	J	K
ARM CHAISE ALUMINUM	36 1/4	72	-	34 3/4	15 1/2	3 3/4	5	-	11	28	51
SKU# 062.2910	92	200	-	88	40	9.5	13	-	27.7	71	129.8

MEASURES INCH CM	# OF BACK CUSHIONS	# OF SEAT CUSHIONS	COM YARDS METERS	DIAGONAL CLEARANCE	FURNITURE WEIGHT LBS KGS	TOTAL PIECES IN A BOX	BOXED WEIGHT LBS KGS	CUBE
DESCRIPTION	L							
ARM CHAISE ALUMINUM	-	-	-	37 3/4	53	2	128	8.4
SKU# 062.2910	-	-	-	95.8	24	2	58	

TRHAW PILLOWS SOLD SEPARATELY