

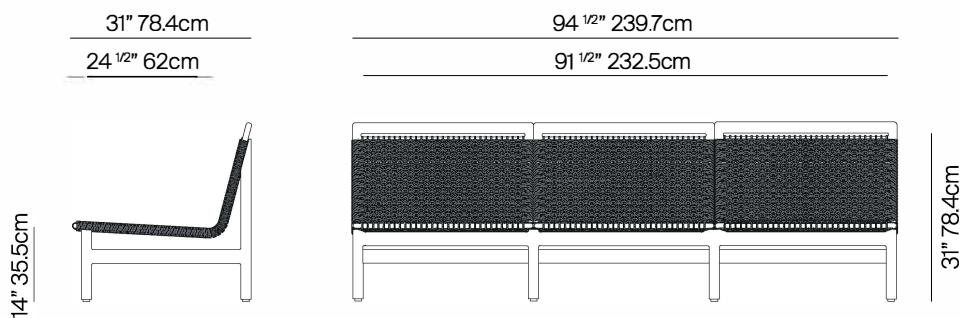
MONTAUK

by Mario Ruiz



3 SEATER SOFA ARMLESS

072.2528



SPECIFICATIONS

| | | |
|-------------------------------------|---------|----------|
| Width: | 94 1/2" | 239.7 cm |
| Depth: | 31" | 78.4 cm |
| Height: | 31" | 78.4 cm |
| Seat height: | 14" | 35.5 cm |
| Seat height *with optional cushion: | 17" | 43.3 cm |
| COM *with optional cushion | 10 yds | |

FINISHES



MATERIALS

Frame: Premium grade teak wood.

Weave: Synthetic all-weather weave.

Cushion foam: Made of HR (high resiliency) foam with Dacron wrap incased in a nonwoven UV stabilized waterproof sonic welded fabric.

Cushion fabric: COM/Outdoor Grade A / Grade B

Fabric options.

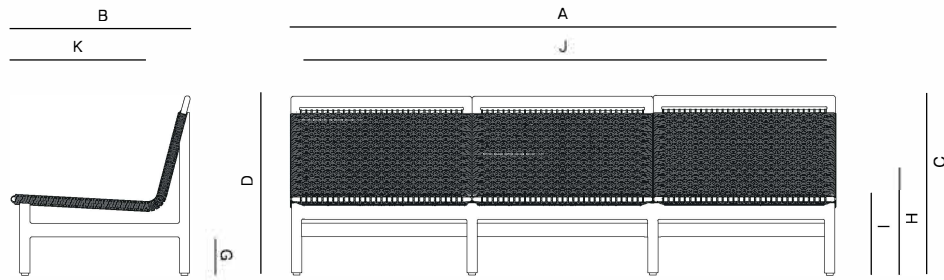
Furniture cover available

DANA O

danaoliving.com

3 SEATER SOFA ARMLESS

072.2528



| MEASURES INCH CM | OVERALL WIDTH | OVERALL DEPTH | OVERALL HEIGHT WITH CUSHIONS | OVERALL FRAME HEIGHT | ARM HEIGHT | ARM WIDTH | FOOT HEIGHT | SEAT HEIGHT WITH CUSHIONS | FRAME SEAT HEIGHT (FLOOR TO FRAME) | INSIDE SEAT WIDTH | INSIDE SEAT DEPTH |
|------------------------|------------------|------------------|------------------------------------|----------------------------|---------------|--------------|----------------|---------------------------------|---|----------------------|----------------------|
| DESCRIPTION | A | B | C | D | E | F | G | H | I | J | K |
| 3 SEATER SOFA ARMLESS | 94 1/2 | 31 | 33 | 31 | - | - | 6 1/2 | 17 | 14 | 91 1/2 | 24 1/2 |
| SKU# 072.2528 | 239.7 | 78.4 | 83.8 | 78.4 | - | - | 16.8 | 43.3 | 35.5 | 232.5 | 62 |

| MEASURES INCH CM | # OF BACK CUSHIONS | # OF SEAT CUSHIONS | COM YARDS METERS | DIAGONAL CLEARANCE | FURNITURE WEIGHT LBS KGS | TOTAL PIECES IN A BOX | BOXED WEIGHT LBS KGS | CUBE |
|------------------------|-----------------------|-----------------------|------------------------|-----------------------|-----------------------------------|--------------------------|-------------------------------|-------|
| DESCRIPTION | L | | | | | | | |
| 3 SEATER SOFA ARMLESS | - | - | .10 | 33 1/2 | 73.63 | 1 | 132.72 | 67.20 |
| SKU# 072.2528 | - | - | 9 | 84.8 | 33.4 | 1 | 60.2 | |

TRHOW PILLOWS SOLD SEPARATELY