

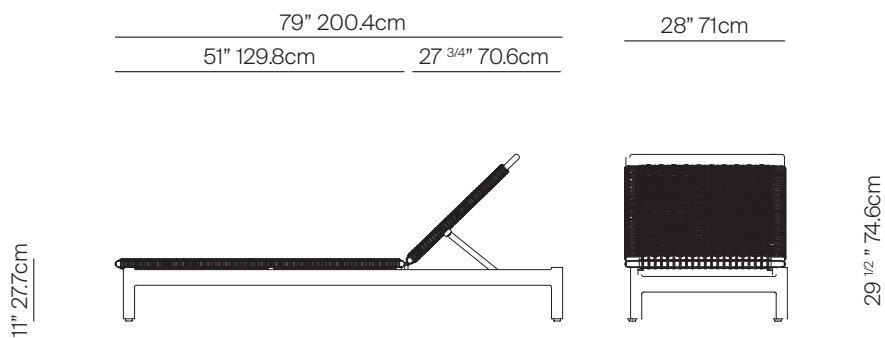
MONTAUK

by Mario Ruiz



CHAISE ALUMINIUM

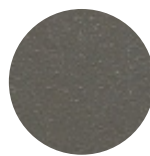
062.2901



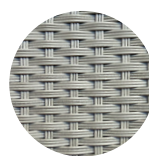
SPECIFICATIONS

Width:	28"	71 cm
Depth:	79"	200.4 cm
Height:	29 1/2"	74.6 cm
Seat height:	11"	27.7 cm
Seat height *with optional cushion	13 1/2"	34.37 cm
COM *for optional cushion:	5 1/2 yds	

FINISHES



MUSCADE
-51



BRUNIA
-22

ALUMINIUM

WEAVE

MATERIALS

Frame: Powder coated aluminum frame.

Weave: Synthetic all-weather weave.

Cushion foam: Made of HR (high resiliency) foam with Dacron wrap incased in a nonwoven UV stabilized waterproof sonic welded fabric.

Cushion fabric: COM/Outdoor Grade A / Grade B

Fabric options.

Furniture cover available

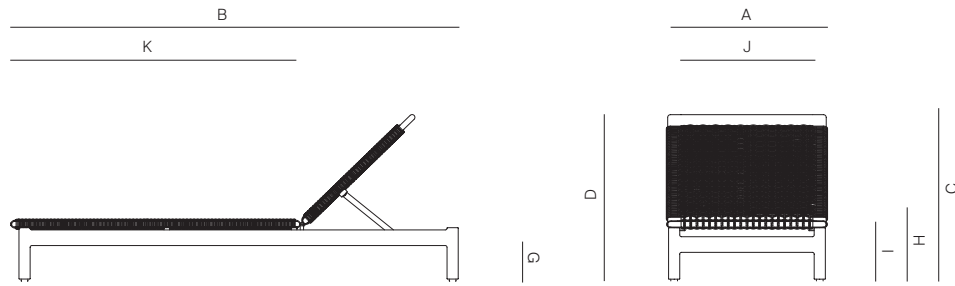
TRHOW PILLOWS SOLD SEPARATELY

DANA O

danaoliving.com

CHAISE ALUMINIUM

062.2901



MEASURES INCH CM	OVERALL WIDTH	OVERALL DEPTH	OVERALL HEIGHT WITH CUSHIONS	OVERALL FRAME HEIGHT	ARM HEIGHT	ARM WIDTH	FOOT HEIGHT	SEAT HEIGHT WITH CUSHIONS	FRAME SEAT HEIGHT (FLOOR TO FRAME)	INSIDE SEAT WIDTH	INSIDE SEAT DEPTH
DESCRIPTION	A	B	C	D	E	F	G	H	I	J	K
CHAISE ALUMINIUM	28	79	30 1/2	29 1/2	-	-	6 1/4	13 1/2	11	23 1/4	51
SKU# 062.2901	71	200.4	77.5	74.6	-	-	16	34.2	27.7	59	129.8

MEASURES INCH CM	# OF BACK CUSHIONS	# OF SEAT CUSHIONS	COM YARDS METERS	DIAGONAL CLEARANCE	FURNITURE WEIGHT LBS KGS	TOTAL PIECES IN A BOX	BOXED WEIGHT LBS KGS	CUBE
DESCRIPTION								
CHAISE ALUMINIUM	-	-	5 1/2	39 3/4	46.94	1	122.03	8.34
SKU# 062.2901	-	-	5.2	101.1	21.29	1	55.35	

TRH OW PILLOWS SOLD SEPARATELY