

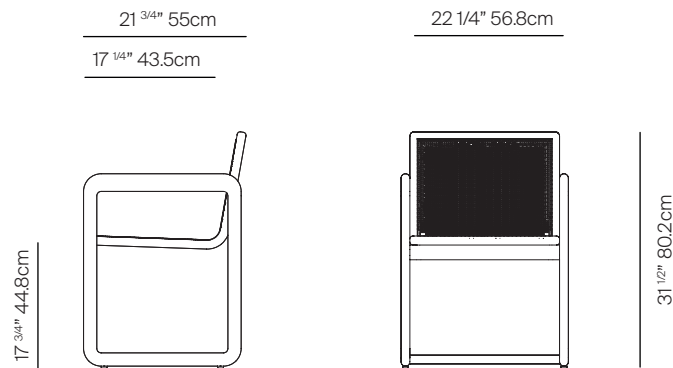
DOCK

by Claudio Bellini



DINING ARM CHAIR

042.2101



SPECIFICATIONS

Width:	22 1/4"	56.8 cm
Depth:	21 3/4"	55 cm
Height:	31 1/2"	80.2 cm
Seat height:	17 3/4"	44.8 cm
Seat height *with optional cushion:	20"	50.8 cm

COM: 1.5 yds

MATERIALS

Frame: Premium grade teak wood.

Weave: Synthetic all-weather weave.

Cushion foam: Made of HR (high resiliency) foam with Dacron wrap incased in a nonwoven UV stabilized waterproof sonic welded fabric.

Cushion fabric: COM/Outdoor Canvas Grade A / Grade B
Fabric options.

Furniture cover available.

TRHOW PILLOWS SOLD SEPARATELY

FINISHES



NATURAL
-20

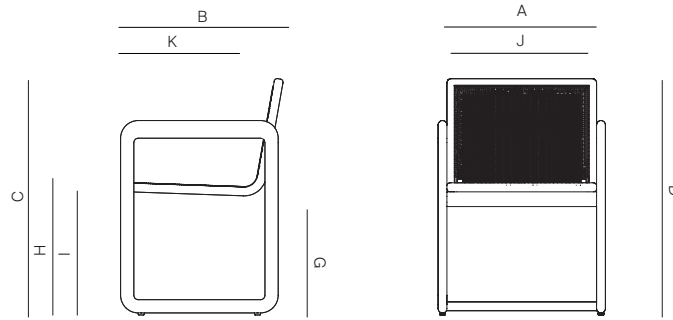
TEAK

DANAO

danaoliving.com

DINING ARM CHAIR

042.2101



MEASURES INCH CM	OVERALL WIDTH	OVERALL DEPTH	OVERALL HEIGHT WITH CUSHIONS	OVERALL FRAME HEIGHT	ARM HEIGHT	ARM WIDTH	FOOT HEIGHT	SEAT HEIGHT WITH CUSHIONS	FRAME SEAT HEIGHT (FLOOR TO FRAME)	INSIDE SEAT WIDTH	INSIDE SEAT DEPTH
DESCRIPTION	A	B	C	D	E	F	G	H	I	J	K
DINING ARM CHAIR	22 1/4	21 3/4	32	31 1/2	26	11/4	14 1/2	20	17 3/4	20	18
SKU# 042.2101	56.8	55	81.2	80.2	66	3	36.5	50.8	45	50.8	45.7

MEASURES INCH CM	# OF BACK CUSHIONS	# OF SEAT CUSHIONS	COM YARDS METERS	DIAGONAL CLEARANCE	FURNITURE WEIGHT LBS KGS	TOTAL PIECES IN A BOX	BOXED WEIGHT LBS KGS	CUBE
DESCRIPTION	L							
DINING ARM CHAIR	-	-	1.5	31 1/4	29.32	1	33.18	13.3
SKU# 042.2101				79.4	13.30	1	15.05	

TRH OW PILLOWS SOLD SEPARATELY