

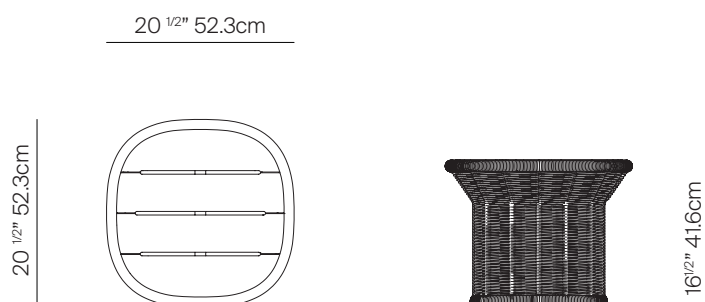
# COLLARE

by Toan Nguyen



20" SIDE TABLE

88420154



## SPECIFICATIONS

Width:	20 1/2"	52.3cm
Depth:	20 1/2"	52.3 cm
Height:	16 1/2"	41.6 cm

## MATERIALS

Frame: Powder coated aluminum frame

Top: Premium grade teak wood.

Weave : Polypropylene rope.

Furniture cover available.

## FINISHES



MUSCADE  
-51



QUARTZ



NATURAL  
-20

ALUMINUM

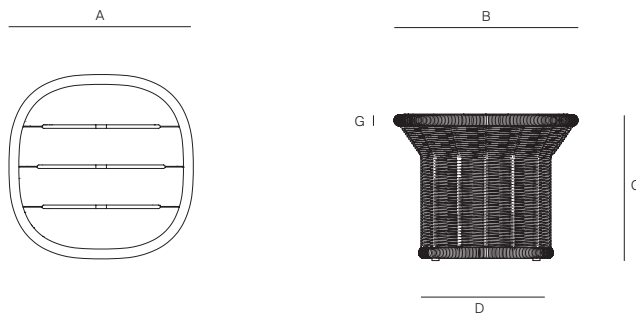
ROPES

TEAK TOP

THROW PILLOWS SOLD SEPARATELY

# DANAO

danaoliving.com



MEASURES INCH CM	OVERALL LENGTH	OVERALL WIDTH	OVERALL HEIGHT	SIZE OF BASE	OVERHANG AT ENDS	OVERHANG AT SIDES	TABLE TOP THICKNESS	APRON TO FLOOR CLEARANCE	SPACE BETWEEN LEGS AT HEAD	SPACE BETWEEN LEGS AT SIDE	SEAT UP TO
DESCRIPTION	A	B	C	D	E	F	G	H	I	J	K
20" SIDE TABLE	20 1/2	20 1/2	16 1/2	15	-	-	1 1/4	-	-	-	-
SKU# 88420154	52.3	52.3	41.6	38.2	-	-	3.2	-	-	-	-

MEASURES INCH CM	DIAGONAL CLEARANCE	OVERALL FURNITURE WEIGHT LBS KGS	TOTAL PIECES IN A BOX	BOXED WEIGHT LBS KGS	CUBE
DESCRIPTION	L				
20" SIDE TABLE	23 1/2	15.34	1	24.34	5.32
SKU# 88420154	59.6	6.96	1	11.04	

TRHOW PILLOWS SOLD SEPARATELY