

CHELSEA

by Mario Ruiz

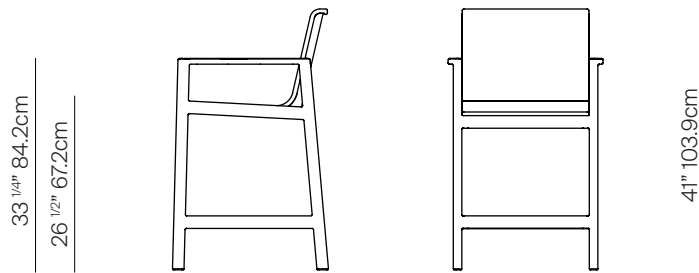


COUNTERSTOOL

075.8301

23 1/2" 59.7cm
17 1/4" 43.5cm

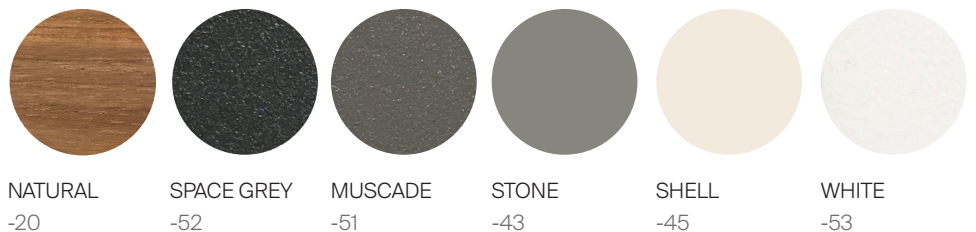
24 1/4" 61.7cm
20" 50.6cm



SPECIFICATIONS

Width:	24 1/4"	61.7 cm
Depth:	23 1/2"	59.7 cm
Height:	41"	103.9 cm
Seat height:	26 1/2"	67.2cm

FINISHES



MATERIALS

Frame: Powder coated aluminum.

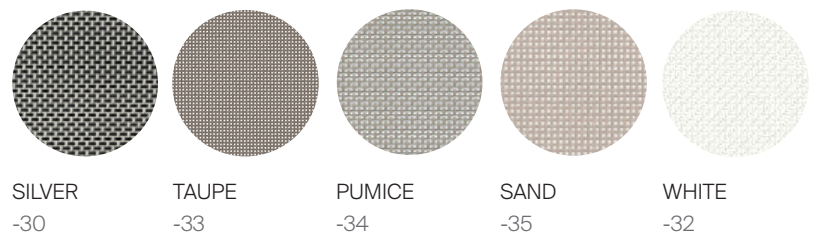
Accents: Batyline.

Furniture Cover Available.

TEAK

ALUMINUM

MOQ APPLIED ON CERTAIN FINISHES



BATYLINE

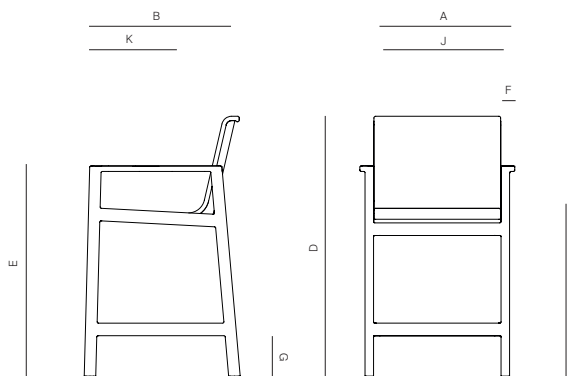
TRHROW PILLOWS SOLD SEPARATELY

DANAO

danaoliving.com

COUNTERSTOOL

075.8301



MEASURES INCH CM	OVERALL WIDTH	OVERALL DEPTH	OVERALL HEIGHT WITH CUSHIONS	OVERALL FRAME HEIGHT	ARM HEIGHT	ARM WIDTH	FOOT HEIGHT	SEAT HEIGHT WITH CUSHIONS	FRAME SEAT HEIGHT (FLOOR TO FRAME)	INSIDE SEAT WIDTH	INSIDE SEAT DEPTH
DESCRIPTION	A	B	C	D	E	F	G	H	I	J	K
COUNTERSTOOL	24 1/4	23 1/2	-	41	33 1/4	2 1/4	6 1/2	-	26 1/6	20	17 1/4
SKU# 075.8301	61.7	59.7	-	103.9	84.2	5.4	16.5	-	67.2	50.6	43.5

MEASURES INCH CM	# OF BACK CUSHIONS	# OF SEAT CUSHIONS	COM YARDS METERS	DIAGONAL CLEARANCE	FURNITURE WEIGHT LBS KGS	TOTAL PIECES IN A BOX	BOXED WEIGHT LBS KGS	CUBE
DESCRIPTION								
COUNTERSTOOL	-	-	-	40 1/2	23.19	1	40.26	18.98
SKU# 075.8301	-	-	-	10.25	10.52	1	18.26	

TRH OW PILLOWS SOLD SEPARATELY